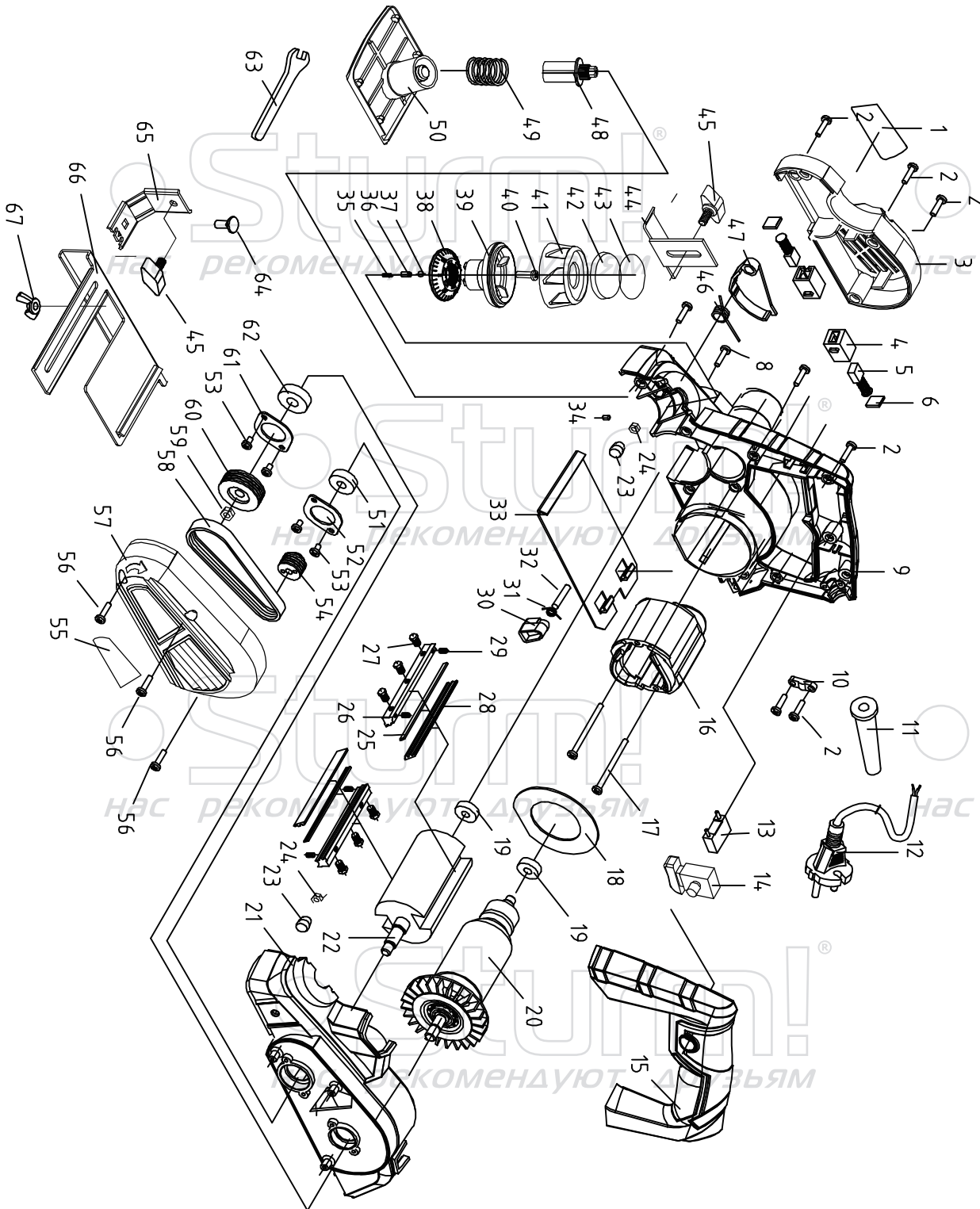


P1085



No	Description	No	Description
1	label	35	spring
2	screw st4.2*14	36	pin
3	back cover	37	steel ballØ2.5
4	carbon brush holder	38	marking plate
5	carbon brush	39	knob
6	brush cover	40	screw st4*20
8	screw st4*16	41	knob cover
9	right plastic housing	42	cap
10	cable pressboard	43	label
11	cable jacket	44	depth guide ruler
12	cable	45	screw
13	capacitor 0.22uf	46	spring
14	switch	47	protector cover
15	handle cover	48	connector shaft
16	stator	49	adjust spring
17	screw st4.2*45	50	adjust plate
18	wind circle	51	bearing608
19	bearing607	52	bearing cover608
20	rotor	53	screw st4*10
21	left plastic housing	54	small wheel
22	bolter	55	label
23	cork	56	screw st4*18
24	nut m6	57	belt cover
25	blade	58	belt
26	blade holder	59	nut m8
27	screw m5*8	60	big wheel
28	blade plank	61	bearing cover6000
29	hex screw m5*8	62	bearing6000
30	protector block	63	spaner
31	sping	64	screw m6*16
32	pinØ5*25	65	locking plate
33	rear plate	66	parallel guide ruler
34	pillar	67	nut